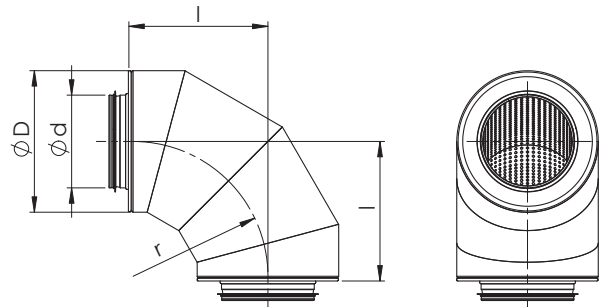


NRFV/NRPV Round Bend Silencer

Round ventilation system bend silencer with round connections and rubber gaskets.

Dimensions and Weights

NRFV-silencer's sound absorption material is mineral wool and NRPV-silencer's a synthetic sound insulation. The perforated inner tube and outer shell are manufactured of galvanized steel. Between the inner tube and the mineral wool insulation, there is fabric to prevent wool particles from entering the duct system.



Sound Attenuation

NRFV, insulation thickness 50 mm (absorption material mineral wool)

Nominal size Ø d (mm)	Ø D (mm)	l (mm)	Sound attenuation (dB) Mean frequency of octave band (Hz)								Weight (kg)
			63	125	250	500	1000	2000	4000	8000	
125	225	225	2	3	7	13	22	31	30	24	3,5
160	260	260	1	3	8	14	20	24	30	24	4,2
200	300	300	1	3	8	14	32	26	44	25	6,7
250	350	350	1	2	6	15	27	28	26	23	9,8
315	415	415	0	2	4	13	18	19	17	16	14,2

Product Marking

NRFV - H 100 - d

Marking ————
 NRFV - absorption material mineral wool
 NRPV - absorption material synthetic sound insulation

Material ————
 Galvanized steel (Z275), standard material
 ZM - zinc-magnesium coated steel (ZM310)
 H - acidproof stainless steel (AISI 316L)

Insulation thickness ————
 50 mm
 100 mm

Diameter d ————

Example: NRFV 100-315
 NRFV-H 100-315